



# DBK1™

## 16-Connector BNC Interface Module



Compatibility: ✓ LogBook ✓ DaqBook ✓ DaqLab ✓ DaqScan ✓ DaqBoard/2000 Series

### Features

- Provides access to 16 analog inputs via BNC connectors
- Features per-channel 100K Ohm bias resistors for differential inputs

The DBK1™ provides a convenient means of attaching analog signals from BNC cables to IOtech's data acquisition systems. Its 16 BNC connectors accommodate 16 single-ended inputs or 8 differential analog inputs. Each differential input is equipped with a switchable 100K Ohm bias resistor referenced to analog common. The unit also provides a ground reference via an external ground connection. The DBK1 features a male DB37 connector that mates with the P1 analog I/O connector.

**Signal Termination.** Since the DBK1 is a passive universal interface, it also provides a convenient method of connecting analog signals to other I/O devices. The unit's 16 easy-to-access BNC connectors can be configured as differential or single-ended.

### Specifications

**Connector:** DB37 male, mates with P1\*; BNC connectors for signal inputs

**Analog Input Connection:** One BNC connector for each of 16 analog input channels

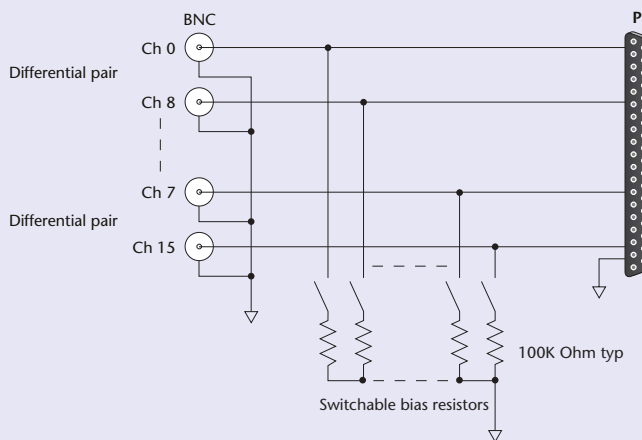
**Dimensions:** 285 mm W x 221 mm D x 35 mm H (11" x 8.5" x 1.375")

**Weight:** 1.3 kg (3 lbs)



The DBK1 provides 16 channels of analog input via BNC connectors

### DBK1 BNC Interface Module Block Diagram



### Ordering Information

Description	Part No.
16-connector BNC interface	DBK1

#### Accessories & Cables

Rack mount kit	RackDBK2
Shielded P1 T cable for use with DaqBook/2020, LogBook/360, and WBK40/41	CA-255-4T
Shielded P1 T cable for use with DaqBook/2001, DaqBook/2005, LogBook/300, DaqLab/2001, and DaqLab/2005	CA-255-2T
Ribbon cable for use with DaqScan	CA-37-x

**Note:** The CA-37-x ribbon cable can also be used in lieu of the CA-255-x molded T cables.

For complete information on accessories and cables, visit [www.iotech.com/acc](http://www.iotech.com/acc)

### Related Products

LogBook	p. 75
DaqBook	p. 89
DaqLab	p. 103
DaqScan	p. 108
DBK11A	p. 127
DBK40	p. 145
DaqBoard/2000 Series	p. 192
Daq/216B	p. 215

\* Attachment to the DaqBoard/2000 series requires a DBK200, DBK201, DBK202, DBK203, DBK205, or DBK209 adapter